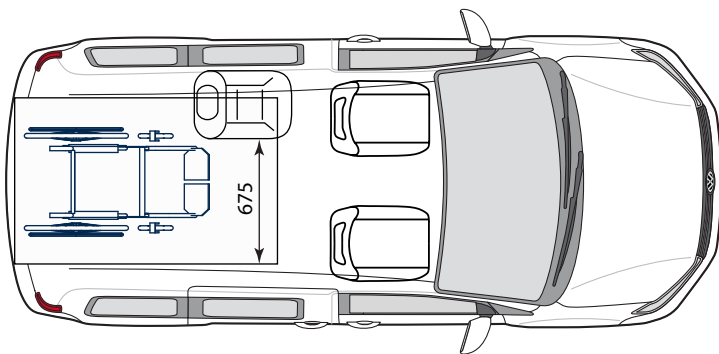
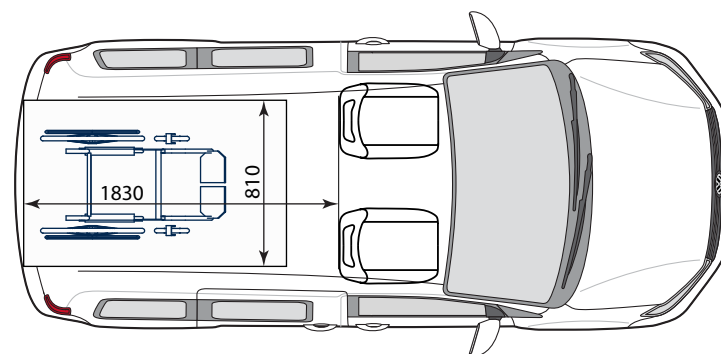


4 + 1



3 + 1



2 + 1



All these dimensions (mm) are just for information and can be different according to the model. These dimensions can not be considered as contractual.

This floor plan is an original creation from Handynamic, all right reserved. An authorization has to be delivered by Handynamic to use these floor plan, in part or completely. Publication of the 25th february 2016.JN