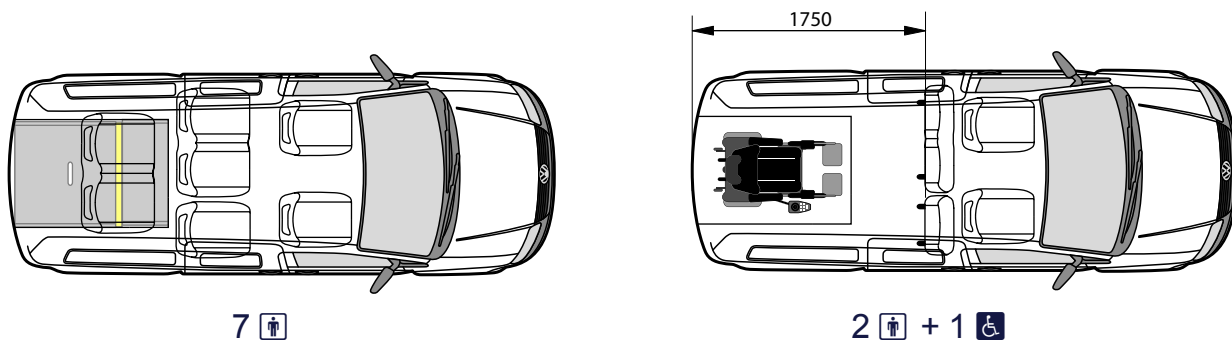


Dimensions utiles (mm) :

length of the lower floor	1400
width of the lower floor	755
inner high	1410
inner high at the rear door	1430
length of the ramp	1150
width of the ramp	720
slope of the ramp	< 23%



All these dimensions (mm) are just for information and can be different according to the model. These dimensions can not be considered as contractual.

This floor plan is an original creation from Handynamic, all right reserved. An authorization has to be delivered by Handynamic to use this floor plan, in part or completely. Publication of the 24th of October 2014.