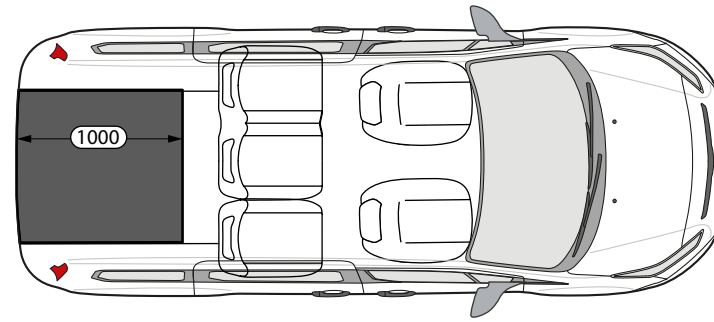
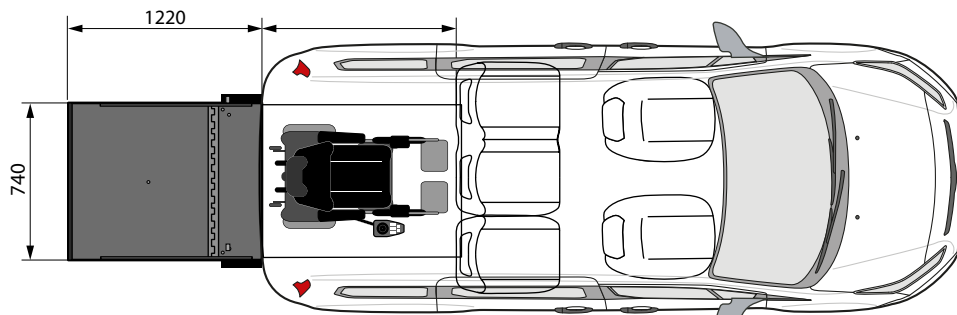


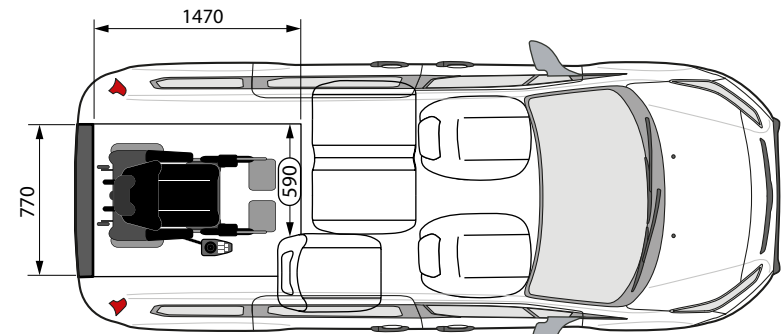
5 



5  + volume of the trunk



5  + 1 



3  + 1 

All these dimensions (mm) are just for information and can be different according to the model. These dimensions can not be considered as contractual.

This floor plan is an original creation from Handynamic, all right reserved. An authorization has to be delivered by Handynamic to use this floor plan, in part or completely. Publication : October 29, 2019.