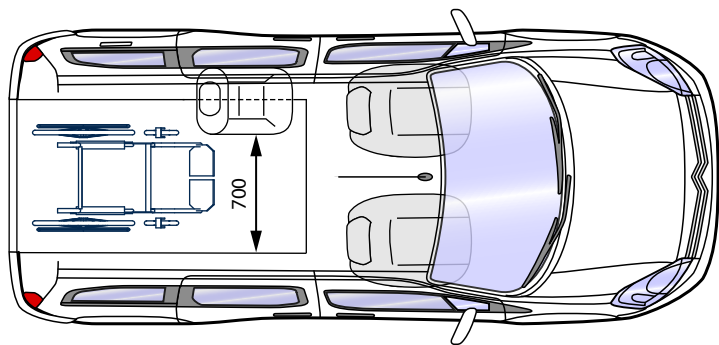
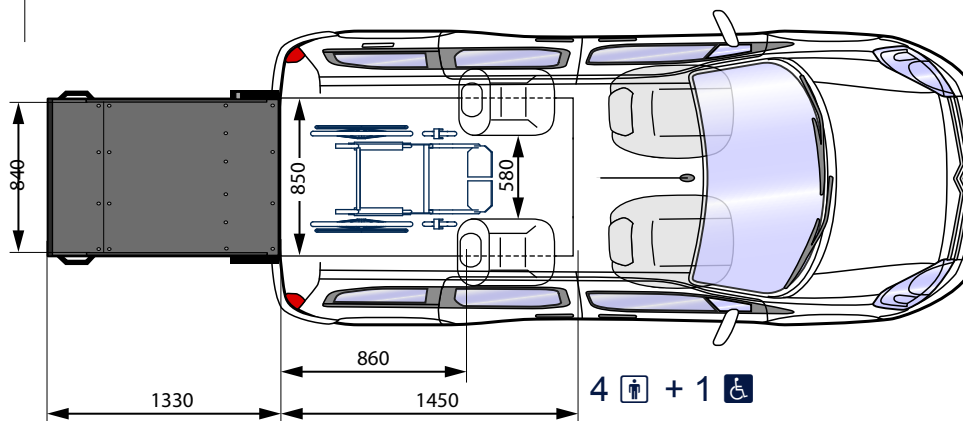
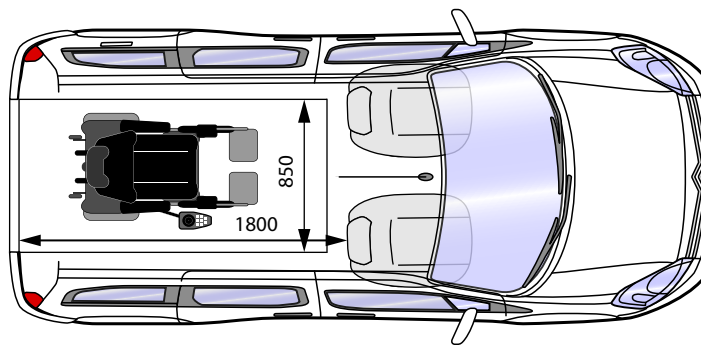




**Dimensions utiles (mm) :**

Length of the lowered floor	1450
Width of the lowered floor	850
Inner height	1450
Inner height at the rear door	1440
Length of the ramp	1330
Width of the ramp	840



3  + 1 



2  + 1  electric wheelchair

